

NBC3-T

Wall Mount For LCD,LED&Plasma TV'S



NBC3-T Wall mount is designed and cater for current market's LCD, LED flat panel TV screens. Designed with space saver, this wall mount is suitable for home use and commercial. Its high tensile rigidity, trendy and dynamic looked offered you the best of viewing temptation. Hung free at any tilting angles.

The hook can be moved on horizontal

■ The product's hook can be moved freely in the safe distance of wall plate.

Easy Installation

■ It is easy and fast for installation and disassembly. It can save one third installing time than any universal wall mounts.

Slim and energy saving concept

■ This NB product is designed and manufacture for the trendy slim flat panel LED TV. Its eco-friendly design features allow you to save space, lower materials usage and to enhance to your green living environment.

Slim and thin flat panel TV mount

- Fits most 40"-60" flat panel TV
- VESA compliance : 100x100mm
100x200mm, 200x200mm, 200x400mm
400x400mm, 400x600mm
- Load capacity : 80lbs (36.4kg)
- Tilt angle : 0°/+12°
- Swivel : 0°
- Color : Black
- Material : SPCC with coating finished

Product Features



Verticals rails auto clicks and locked designed



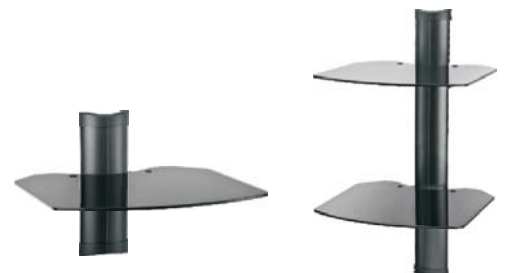
Verticals rails pull and unlocked designed



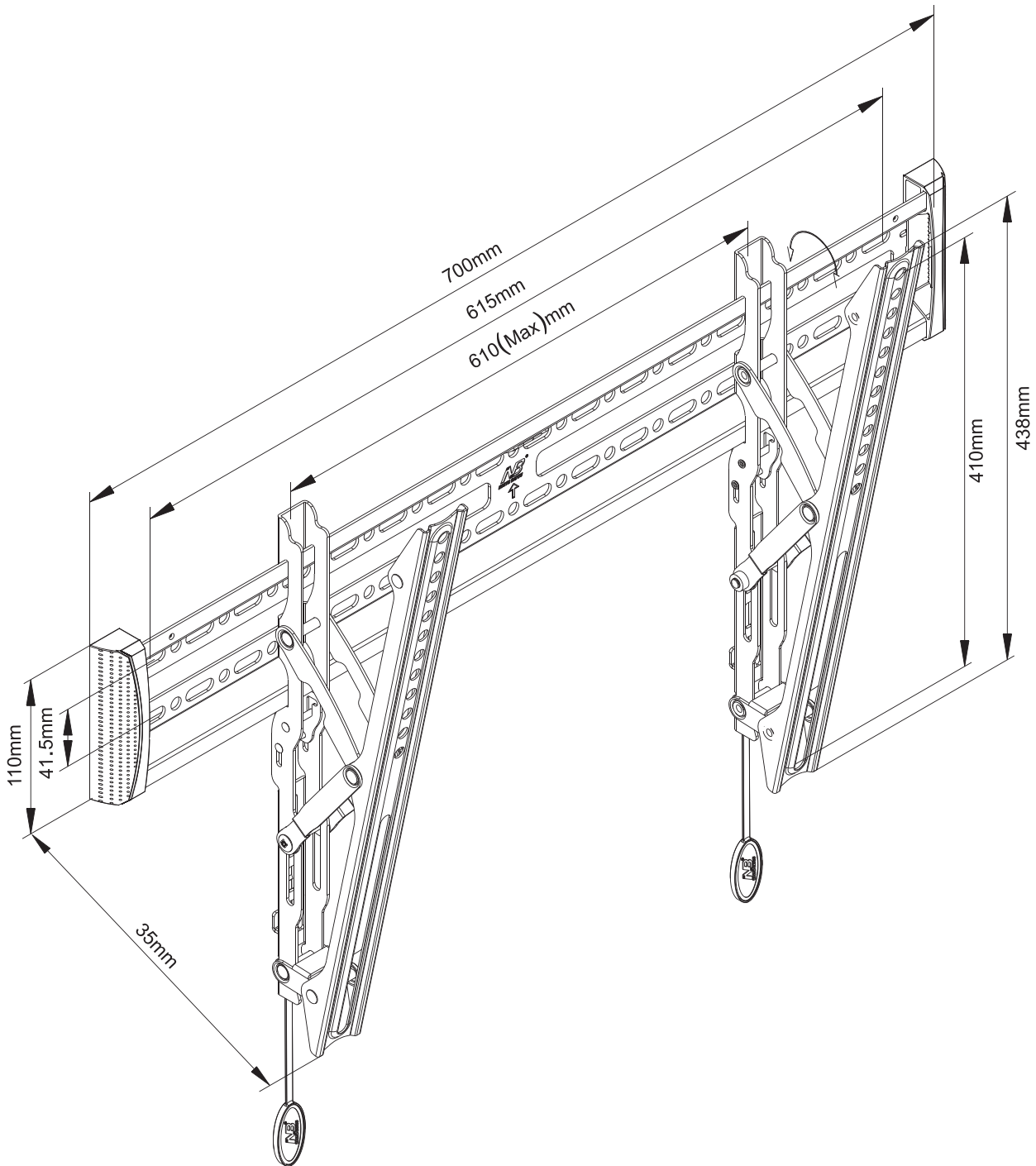
Hung free and stop at any point design is NB latest technology.



Be able to fit in a variety of accessories:
With additional of our wall shelf products:
FOXGS-S, FOXGS-D



NBC3-T Slim and thin flat panel TV mount



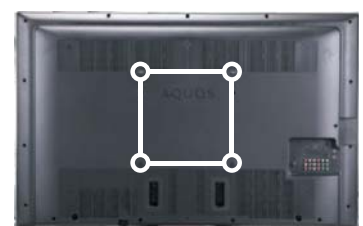
Notes

Please study and understand your TV's mounting holes distance prior to your TV bracket selection.

Mounting holes distance measuring methods:

From mounting hole centre left to mounting hole right centre,

From mounting hole centre right measure down to right corner mounting hole centre.



VESA(TV mounting holes)

For more information, please visit: www.nbavmount.com